

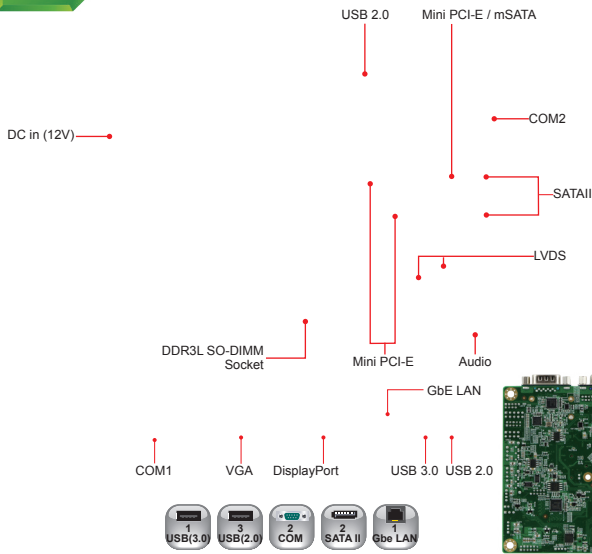


Datasheet

iBASE

IB898

The information contained in this document has been carefully researched and is, to the best of our knowledge, accurate. However, we assume no liability for any product failures or damages, immediate or consequential, resulting from the use of the information provided herein. Our products are not intended for use in systems in which failures of product could result in personal injury. All trademarks mentioned herein are property of their respective owners. All specifications are subject to change without notice.



Features

- Onboard Intel® Atom™ E3825 DC /E3815 SC SoC, 1.33/1.46GHz
- 1x DDR3L-1066 SO-DIMM, Max. 4GB
- Supports VGA, DisplayPort and 24-bit dual channel LVDS
- 1x Intel® I210IT PCI-E Gigabit LAN
- Watchdog timer, Digital I/O, mSATA, iSMART
- 3x USB 2.0, 1x USB 3.0, 2x COM, 2x SATA II,
- 3x Mini PCI-E slots (2x full-size, 1x half size)
- Wide-range operating temperature



IB898 with Heat spreader

IB898 with Heatsink

System

CPU	Intel® Atom™ DC E3825 (1.33GHz, 1MB cache) Intel® Atom™ SC E3815 (1.46GHz, 512KB cache)
System Memory	1x DDR3L-1066 SO-DIMM, Max 4GB (Non-ECC)
System Chipset	Integratd in Intel® Atom™ SoC
BIOS	AMI
Watchdog Timer	256 levels
SSD	1x mSATA
H/W Monitor	Yes
Expansion Slots	3x Mini PCI-E (2x full-size, 1x half-size)

Graphics

VGA Controller	Intel® Atom™ SoC integrated Gen7 4EUs graphics
VGA Memory	Shared memory
Display Interface	Supports CRT, DisplayPort, and 24-bit dual channel LVDS

LAN

Controller	1x Intel® I210IT PCI-E Gigabit LAN
Connector	1x RJ-45 on board

Multi I/O

I/O Chipset	Nuvoton NCT5523D 1x RS232/422/485 (jumperless selection) 1x RS232 2x SATA II
USB	1 port USB 3.0 on board 1 port USB 2.0 on board 2 ports USB 2.0 via pin header
Audio	Intel® Atom™ SoC built-in HD Audio controller + Realtek ALC269QHD codec w/ class-D amplifier
Others	Digital I/O, +12V DC-In, iSMART Wide-range operating temperature

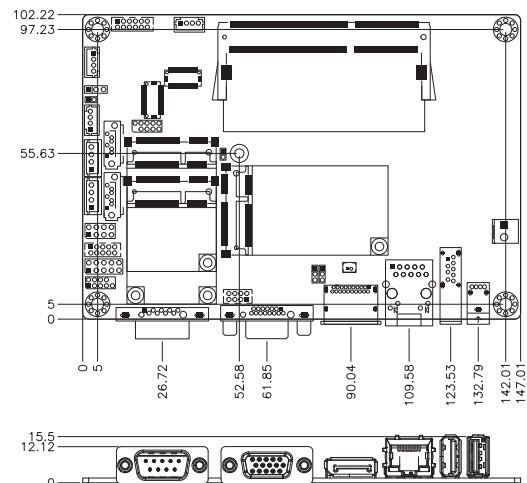
Mechanical and Environmental

Dimensions	102mm x 147mm (4" x 5.8")
Max. Power Requirement	Intel® Atom™ E3825 1.33GHz w/ 4GB DDR3L-1600 +12V: 0.65A
Operating Temperature	-40°C~85°C (-40°F~185°F)
Storage Temperature	-40°C~90°C (-40°F~194°F)
Relative Humidity	90% (non-condensing @60°C)

Ordering Information

IB898-I25	Intel® Atom™ E3825 (1.33GHz) 3.5-inch Disk Size SBC w/ PCI-E GbE LAN, CRT, DisplayPort & LVDS (24-bit LVDS dual channel), mSATA, iSMART, wide temperature support
IB898-I15	Intel® Atom™ E3815 (1.46GHz) 3.5-inch Disk Size SBC w/ PCI-E GbE LAN, CRT, DisplayPort & LVDS (24-bit LVDS dual channel), mSATA, iSMART 3.1, wide temperature support
HSIB898-BGA-A	Heatsink for IB898
HSIB898-BGA-1	Heat Spreader for IB898
IB76A	Cable Kit w/ USB, COM, Power, SATA + Power cable

Dimensions and Drawing



Our company network supports you worldwide with offices in Germany, Austria, Switzerland, Great Britain and the USA. For more information please contact:

Headquarters

Germany



FORTEC Elektronik AG

Lechwiesenstr. 9
86899 Landsberg am Lech

Phone: +49 8191 91172-0
E-Mail: sales@forteca.de
Internet: www.forteca.de

Fortec Group Members

Austria



FORTEC Elektronik AG

Office Vienna

Nuschinggasse 12
1230 Wien

Phone: +43 1 8673492-0
E-Mail: office@fortec.at
Internet: www.fortec.at

Germany



Distec GmbH

Augsburger Str. 2b
82110 Germering

Phone: +49 89 894363-0
E-Mail: info@distec.de
Internet: www.distec.de

Switzerland



ALTRAC AG

Bahnhofstraße 3
5436 Würenlos

Phone: +41 44 7446111
E-Mail: info@altrac.ch
Internet: www.altrac.ch

United Kingdom



Display Technology Ltd.

5 The Oaks Business Village
Revenge Road, Lordswood
Chatham, Kent, ME5 8LF

Phone: +44 1634 672755
E-Mail: info@displaytechnology.co.uk
Internet: www.displaytechnology.co.uk

USA



Apollo Display Technologies, Corp.

87 Raynor Avenue,
Unit 1 Ronkonkoma,
NY 11779

Phone: +1 631 5804360
E-Mail: info@apolloDisplays.com
Internet: www.apolloDisplays.com