

Datasheet

PPC-3150

Advantech

Our company network supports you worldwide with offices in Germany, Austria, Switzerland, Great Britain and the USA. For more information please contact:

FORTEC Elektronik AG

Hauptniederlassung
Lechwiesenstr. 9
86899 Landsberg am Lech

Telefon: +49 (0) 8191 91172-0
Telefax: +49 (0) 8191 21770
E-Mail: sales@fortecag.de
Internet: www.fortecag.de

FORTEC Elektronik AG

Büro West
Hohenstaufenring 55
50674 Köln

Telefon: +49 (0) 221 272 273-0
Telefax: +49 (0) 221 272 273-10
E-Mail: west@fortecag.de
Internet: www.fortecag.de

FORTEC Elektronik AG

Büro Wien
Nuschinggasse 12
A-1230 Wien

Telefon: +43 1 8673492-0
Telefax: +43 1 8673492-26
E-Mail: office@fortec.at
Internet: www.fortec.at

ALTRAC AG

(Tochter der FORTEC):
Bahnhofstraße 3
CH-5436 Würenlos

Telefon: +41 (0) 44 7446111
Telefax: +41 (0) 44 7446161
E-Mail: info@altrac.ch
Internet: www.altrac.ch

The information contained in this document has been carefully researched and is, to the best of our knowledge, accurate. However, we assume no liability for any product failures or damages, immediate or consequential, resulting from the use of the information provided herein. Our products are not intended for use in systems in which failures of product could result in personal injury. All trademarks mentioned herein are property of their respective owners. All specifications are subject to change without notice.

PPC-3150

15" Fanless Panel PC with Intel Atom Quad-Core Processor

NEW



susiAccess RoHS CE FCC UL

Features

- 15" TFT XGA LCD with resistive touchscreen
- Embedded Intel Atom Quad-Core E3845 1.91G
- Fanless and Slim design
- Supports one internal 2.5" SATA HDD, one mSATA socket
- Built-in one PCI or one PCIe x1 expansion slot
- Wide operating temp. range from -20~60°C
- Wide range power input for 9~32V_{DC}
- One isolated RS-422/485 with Autoflow, Dual Intel GbE
- One optional GPIO (8 channels, TTL level)

Introduction

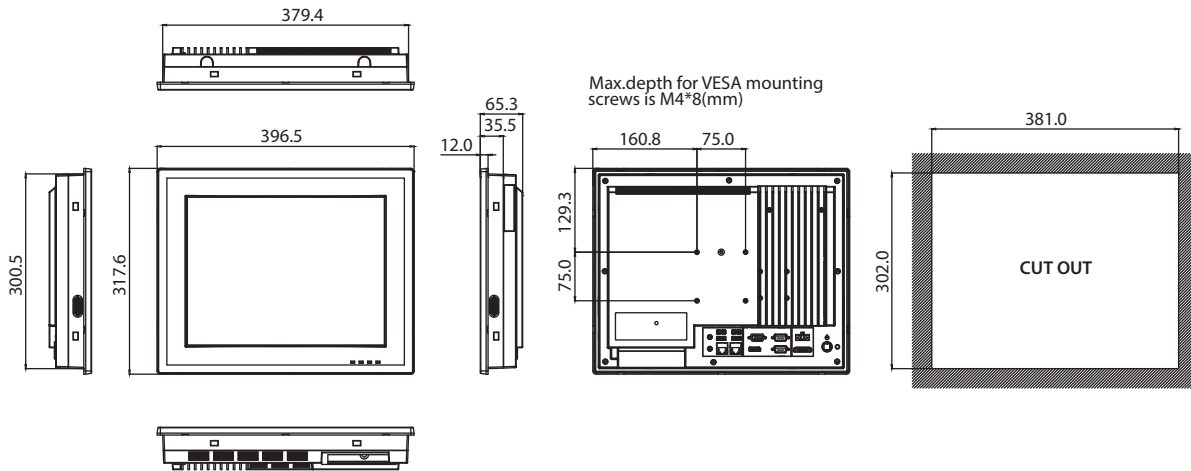
The PPC-3150 is a 15" fanless panel PC that doesn't only deliver high performance with an Intel quad-core Atom processor but also supports a wide operating temp. (-20~60°C) and wide range of power input (9~32V_{DC}). It consolidates performance and reliability in one system. With multiple I/Os such as 4 x COM, 1 x USB3.0, 1x isolated RS-422/485 and dual Intel Gigabit Ethernet make it easier to connect to devices and be integrated into machine building industry. The PCI/PCIe expansion is allowed to add on field bus or proprietary card makes more application possibility.

Specifications

Processor system	CPU	Intel ATOM E3845
	Frequency	1.91GHz
	L3 Cache	2M
	Chipset	Intel Bay-Trial I
	Memory	1 x 204-pin SODIMM DDR3L support up to 8GB
	Storage 1	1 x 2.5" SATA bay
	Optional Storage & I/O	Either: <ul style="list-style-type: none"> ▪ 1 x Full size mSATA ▪ CFast card (optional module) ▪ CF card (optional module) ▪ Internal USB connector for USB dongle (optional module) ▪ 2 x DB9 for two RS-232 or one RS-232 and one GPIO (optional module)
	Network (LAN)	2 x Gigabit Ethernet, (Intel I210)
	I/O Ports	<ul style="list-style-type: none"> ▪ 1 x isolated RS-422/485 (terminal block) ▪ 4 x RS-232, two external and two by internal pin header (need optional module) ▪ 1 x GPIO (8 channels, TTL level) by internal pin header (need optional module) ▪ 1 x USB3.0 + 3 x USB2.0 ▪ 2 x Gigabit Ethernet ▪ 1 x D-SUB VGA port ▪ 1 x DP1.1a ▪ 1 x Line-out, 1 x Mic-in, 2 x 1W speaker,
	Expansion slots	Either <ul style="list-style-type: none"> ▪ One PCI (standard) ▪ One PCIe x 1 (in the accessory box)
	Other Expansion	1 x Full-size Mini PCIe
Physical Characteristics	Dimensions	396.5 x 317.6 x 65.3 (15.6" x 12.5" x 2.57")
	Weight	5.3 Kg (11.68 lb)
OS support	OS Support	WES7 32&64bit / Windows 7 32&64bit/ Windows 8 32&64bit
Power supply	Input Voltage	9-32 V _{DC}
	Power Consumption	30W (Burn-In test 7.0 in windows 7 32bits)
LCD Display	Display Type	15" TFT LCD (LED Backlight)
	Max. Resolution	1024 x 768
	Colors	16.7M
	Viewing Angle	80 (left), 80 (right), 70 (up), 70 (down)
	Luminance(cd/m2)	400
	Contrast Ratio	700
	Backlight Lifetime	50, 000 hrs(typ.)

Dimensions

Unit: mm

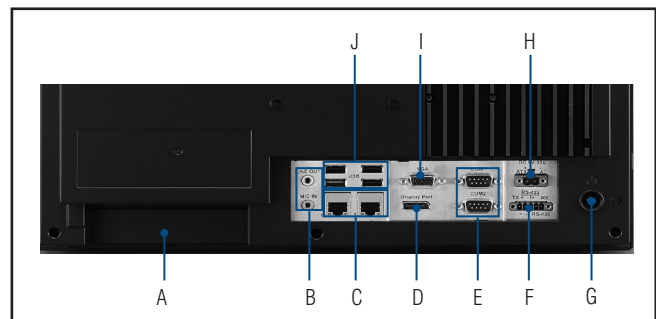


Touchscreen	Touch Type	Analog Resistive 5-wire
	Resolution	2048 x 2048
	Light Transmission	80% ± 3 %
	Controller	USB interface
	Software Driver Supports	Windows7 / Windows 8
	Durability (Touches)	36 million
Environment	Operating Temperature	0 ~ 50°C (32 ~ 122°F) with 2.5" SATA HDD -20 ~ 60°C (-4 ~ 140°F) with -40 ~ 85°C mSATA or 2.5" SATA SSD
	Storage Temperature	-20 ~ 60°C (-4 ~ 140°F)
	Relative Humidity	10 ~ 95% @ 40°C (non-condensing)
	Shock	Operating 10 G peak acceleration (11 ms duration), follow IEC 60068-2-27
	Vibration	Operating Random Vibration Test 5-500Hz, 1Grms, follow IEC 60068-2-64
	EMC	BSMI, CE, FCC Class A
	Safety	CB, CCC, BSMI, UL
	Front Panel Protection	IP65 compliant

Ordering Information

Part NO	Description
PPC-3150-RE4AE	Intel Atom E3845 (1.91G) Panel PC with 15" XGA panel, 5-wire resistive T/S, w/o memory
PPC-WLAN-A1E	WiFi Module with Antenna Cable 28cm for PPC
PPC-174T-WL-MTE	Wall mount kit for PPC series
PPC-ARM-A03	PPC ARM VESA Standard
PPC-3150-COME	Module to install either two additional RS-232 port or one additional RS-232 and one GPIO for PPC-3150/PPC-3170
96PSA-A90W190T-1	ADP A/D 100-240V 90W 19V W/PFC
1700001524	Power cord 3P UL 10A 125V 1.8M
170203183C	Power cord 3P Europe (WS-010+083) 183cm
1700008921	Power cord 3P/3P 1.8M PSE
2070013015	Image WES7P 32-bit Multi V4.12 for PPC-3150/3170
2070013321	Image WES7P 64-bit Multi V4.12 for PPC-3150/3170
98R3612000E	Msata/CFast to USB card reader
98R3415010E	98 Level For 9663415010E Front USB Cable 100cm
PPC-STAND-A1E	Stand For PPC Series (single acting hinge)
98R3C31500E	PPC-315/317/319 internal USB dongle kits
98R3C31510E	PPC-3150/3170 install CF card kits
98R3C31520E	PPC-3150/PPC-3170 CFast card kits

I/O Appearance



- A. Expansion slot x 1 (PCI or PCIe x1)
- B. Line out/ Mic in
- C. Intel Gigabit Ethernet x 2
- D. DisplayPort x 1
- E. RS-232 x 2
- F. Isolated RS-422/485 x 1
- G. Power Button
- H. DC inlet and AT/ATX switch
- I. VGA x1
- J. USB3.0 x 1 + USB2.0 x 3

FORTEC

ELEKTRONIK AG

Our company network supports you worldwide with offices in Germany, Austria, Switzerland, Great Britain and the USA. For more information please contact:

FORTEC Elektronik AG

Hauptniederlassung
Lechwiesenstr. 9
86899 Landsberg am Lech

Telefon: +49 (0) 8191 91172-0
Telefax: +49 (0) 8191 21770
E-Mail: sales@fortecag.de
Internet: www.fortecag.de

FORTEC Elektronik AG

Büro West
Hohenstaufenring 55
50674 Köln

Telefon: +49 (0) 221 272 273-0
Telefax: +49 (0) 221 272 273-10
E-Mail: west@fortecag.de
Internet: www.fortecag.de

FORTEC Elektronik AG

Büro Wien
Nuschinggasse 12
A-1230 Wien

Telefon: +43 1 8673492-0
Telefax: +43 1 8673492-26
E-Mail: office@fortec.at
Internet: www.fortec.at

ALTRAC AG

(Tochter der Fortec AG):
Bahnhofstraße 3
CH-5436 Würenlos

Telefon: +41 (0) 44 7446111
Telefax: +41 (0) 44 7446161
E-Mail: info@altrac.ch
Internet: www.altrac.ch

Members of the FORTEC Group:

