
Datasheet

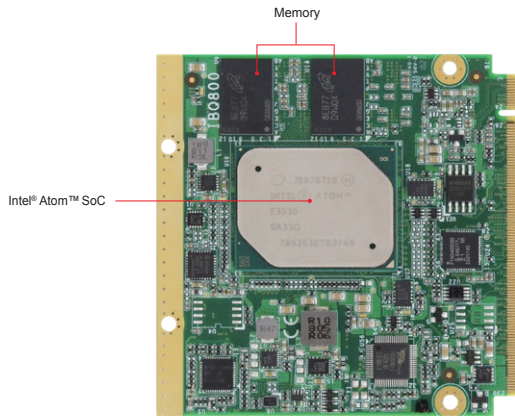
iBASE

IBQ800

Qseven™ Computer-on-Module with Intel® Atom™ Apollo Lake Prozessor

x5-E3930 & x7-E3950

The information contained in this document has been carefully researched and is, to the best of our knowledge, accurate. However, we assume no liability for any product failures or damages, immediate or consequential, resulting from the use of the information provided herein. Our products are not intended for use in systems in which failures of product could result in personal injury. All trademarks mentioned herein are property of their respective owners. All specifications are subject to change without notice.



Features

- Onboard Intel® Atom™ x5-E3930, 1.8GHz or x7-E3950, 2.0GHz [i-Temp support]
- Onboard LPDDR4 memory
- 1x Intel I210IT PCI-E Gigabit LAN
- Supports TPM (2.0), eMMC5.0 (optional)
- Wide-range operating temperature

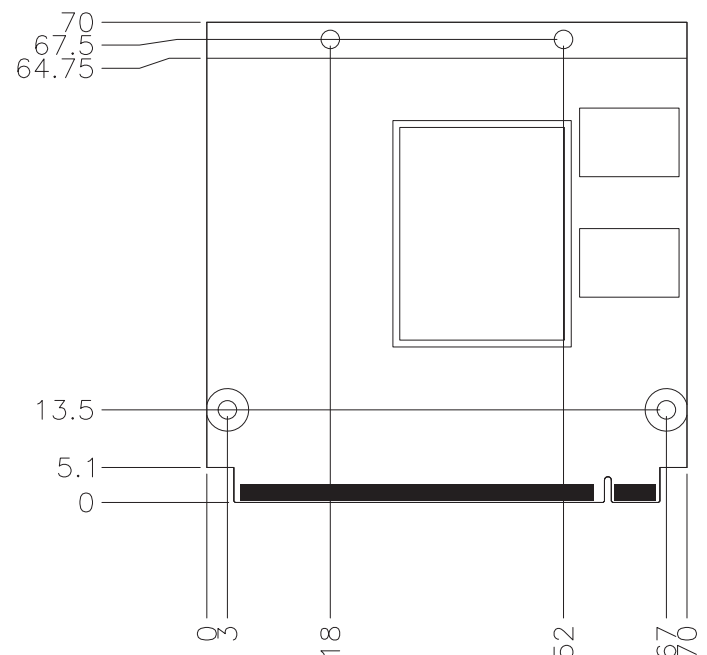
Specifications

CPU Type	Intel® Atom™ QC x5/ E3930 (1.3 GHz~1.8GHz) Intel® Atom™ QC x7/ E3950 (1.6GHz~2.0GHz)
System Memory	Onboard memory, LPDDR4, Max 8GB
System Chipset	Integrated in Intel® SoC
BIOS	AMI
Watchdog Timer	256 levels
SSD	eMMC 5.0 up to 32GB (optional)
H/W Monitor	Yes
Expansion Slot	4x PCI-E(x1)
VGA Controller	Intel® SoC integrated Gen9-LP graphics
VGA Memory	Shared memory
Display Interface	Supports 1x DDI port, 1x eDP or 1x dual-channel LVDS (By option)
LAN Controller	1x Intel® I211IT PCI-E Gigabit LAN
LAN Connector	1x RJ45 on carrier board (IP416)
I/O Chipset	Fintek F81804U-I 1x COM port (RX/TX/RTS/CTS only)
USB	3x USB 3.0, derived from Qseven CPU module 4x USB 2.0, derived from Qseven CPU module
Serial ATA	2x SATA III via carrier board
Audio	Intel® Atom™ SoC built-in HD audio controller
Others	TPM (2.0) , SD, from SoC CPU
Dimensions	70mm x 70mm (2.75" x 2.75 ")
Max. Power Requirement	Intel® Atom™ E3950 1.6GHz w/ 8GB memory, DDR4 1600 +12V: 1.7121A
Operating Temperature	-40°C ~ 85°C (-40°F~185°F)
Storage Temperature	-40°C ~ 90°C (-40°F ~ 194°F)
Relative Humidity	90% (non-condensing @60°C)

Ordering Information

IBQ800-X7LVE8G	Qseven CPU module with Intel® Atom™ E3950 (2.0GHz), eMMC32GB, 8GB memory on board, LVDS support
IBQ800-X5LVE8G	Qseven CPU module with Intel® Atom™ E3930 (1.8GHz), eMMC32GB, 8GB memory on board, LVDS support
IBQ800-X5LVE	Qseven CPU module with Intel® Atom™ E3930 (1.8GHz), eMMC32GB, 4GB memory on board, LVDS support
IBQ800-X5	Qseven CPU module with Intel® Atom™ E3930 (1.8GHz), 4GB memory on board, eDP support
IP416	Qseven (R2.1) carrier board

Dimensions and Drawing



Our company network supports you worldwide with offices in Germany, Austria, Switzerland, the UK and the USA. For more information please contact:

Headquarters

Germany



FORTEC Elektronik AG

Augsburger Str. 2b
82110 Germering

Phone: +49 89 894363-0
E-Mail: sales@fortecag.de
Internet: www.fortecag.de

Fortec Group Members

Austria



FORTEC Elektronik AG

Office Vienna

Nuschinggasse 12
1230 Wien

Phone: +43 1 8673492-0
E-Mail: office@fortec.at
Internet: www.fortec.at

Germany



Distec GmbH

Augsburger Str. 2b
82110 Germering

Phone: +49 89 894363-0
E-Mail: info@distec.de
Internet: www.distec.de



FORTEC Elektronik AG

Lechwiesenstraße 9
86899 Landsberg am Lech

Phone: +49 8191 91172-0
E-Mail: sales@fortecag.de
Internet: www.fortecag.de

Switzerland



ALTRAC AG

Bahnhofstraße 3
5436 Würenlos

Phone: +41 44 7446111
E-Mail: info@altrac.ch
Internet: www.altrac.ch

United Kingdom



Display Technology Ltd.

Osprey House, 1 Osprey Court
Hichingbrooke Business Park
Huntingdon, Cambridgeshire, PE29 6FN

Phone: +44 1480 411600
E-Mail: info@displaytechnology.co.uk
Internet: www.displaytechnology.co.uk

USA



Apollo Display Technologies, Corp.

87 Raynor Avenue,
Unit 1 Ronkonkoma,
NY 11779

Phone: +1 631 5804360
E-Mail: info@apolloDisplays.com
Internet: www.apolloDisplays.com